



AVK REPICO® - SLIP TYPE COUPLING WITH TWO LOCKS (SD)

745/28-112

Non-tensile / Flexible, for all pipes, stainless steel 316, NBR, DN15-1000

AVK's Repico® product program consists of stainless steel pipe couplings and repair clamps for pipe diameters from DN 15 up to DN 2000. The Repico® range offers a quick and simple connection solution for all pipes with possibility of angular deflection and easy handling due to the compact and light weight design.

Product description:

Repico® SD - Slip type coupling two locks (non-tensile / flexible) to connect all pipes. For wastewater -25° C up to +80° C

Test/Approvals:

- Rina (pending approval)
- WRAS (pending approval)
- LR (pending approval)
- DNV-GL (pending approval)
- ABS (pending approval)
- BV (pending approval)

Features:

- Slip type coupling with two locks provides a connection solution for all pipes that need to be able to expand/contract and/or support the restraint pipe. Available in DN 15-1000
- Progressive sealing
- Easy installation by use of a torque wrench, limited space required for installation due to compact design
- Pressure range PN 7-42 (Bar) depending on size
- Max. angular deflection 5° for DN 15-50, 4° for DN 65-175 and 2° for DN >= 200
- Made of stainless steel 316
- Green PTFE coated bolts
- Light weight, appr. 30% in comparison with flanged connections
- 60% noise reduction compared to rigid connections

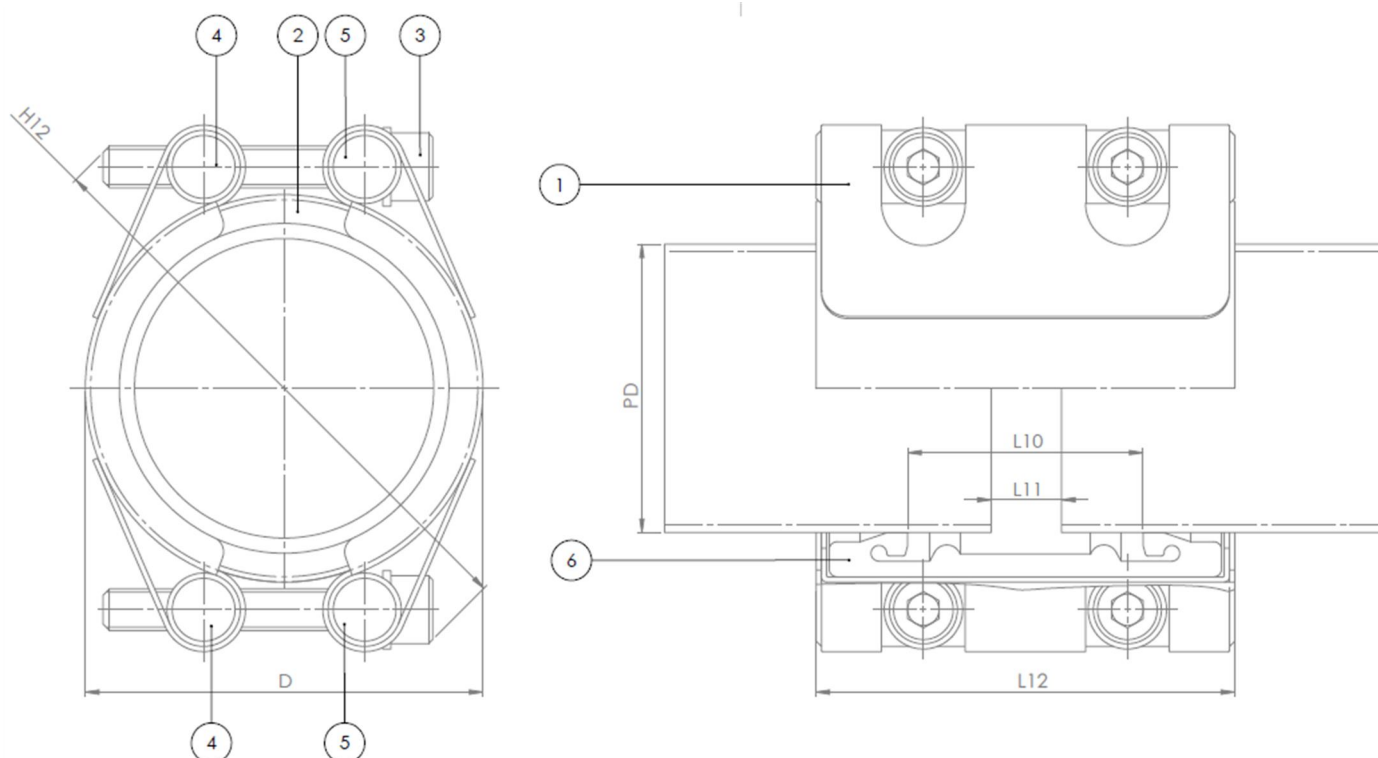


Expect ... **AVK**

AVK REPICO® - SLIP TYPE COUPLING WITH TWO LOCKS (SD)

745/28-112

Non-tensile / Flexible, for all pipes, stainless steel 316, NBR, DN15-1000



Component list:

1. Body	Stainless steel 316	4. Nut	Stainless steel 316
2. Side plate	Stainless steel 316	5. Washer	Stainless steel 316
3. Bolt	Stainless steel 316 / PTFE	6. Sealing	NBR rubber

Components may be substituted with equivalent or higher class materials without prior notification.

Reference nos. and dimensions:

AVK ref. no.	DN mm	Tolerance mm	Pipe dia. mm	Working Pressure bar	D mm	H12 mm	L10 mm	L11 mm	L12 mm	Bolts (no x M x L)	Theoretical weight / kg
745-28-0015-112	15	15,3 - 17,0	15,5	42	25	43	28	8	60	4XM6X45	0.3
745-28-0020-112	15	19,5 - 21,3	20,0	42	33	52	28	8	60	4XM6X45	0.3
745-28-0021-112	15	21,0 - 23,0	21,3	42	35	53	28	8	60	4XM6X45	0.3
745-28-0025-112	20	24,0 - 26,5	25,0	42	38	57	28	8	60	4XM6X45	0.5
745-28-0027-112	20	26,0 - 28,5	26,7	42	40	58	28	8	60	4XM6X45	0.5
745-28-0028-112	25	26,4 - 29,5	28,2	42	42	62	28	8	60	4XM6X45	0.5
745-28-0030-112	25	29,0 - 31,5	30,0	42	43	64	28	8	60	4XM6X45	0.5
745-28-0032-112	25	31,0 - 33,5	32,0	42	45	66	28	8	60	4XM6X45	0.5
745-28-0034-112	25	33,0 - 35,5	33,4	42	47	68	28	8	60	4XM6X45	0.5
745-28-0038-112	32	37,0 - 39,5	38,0	42	51	75	28	8	60	4XM6X45	0.6
745-28-0040-112	32	39,5 - 41,8	40,0	42	53	77	28	8	60	4XM6X45	0.6
745-28-0042-112	32	42,0 - 44,5	42,2	42	56	79	28	8	60	4XM6X45	0.6
745-28-0044-112	32	44,0 - 46,5	44,5	42	58	81	28	8	60	4XM6X45	0.6
745-28-0048-112	40	47,5 - 50,5	48,3	42	62	85	28	8	60	4XM6X45	0.6
745-28-0050-112	45	49,2 - 51,5	50,8	42	64	88	28	8	60	4XM6X45	0.6
745-28-0054-112	50	53,0 - 56,0	54,0	42	70	92	44	8	80	4XM8X55	0.9
745-28-0057-112	50	56,0 - 59,0	57,0	42	73	95	44	8	80	4XM8X55	0.9
745-28-0060-112	50	59,0 - 62,0	60,3	42	76	98	44	8	80	4XM8X55	0.9
745-28-0063-112	50	62,0 - 65,0	63,0	42	79	101	44	8	80	4XM8X55	0.9
745-28-0066-112	65	65,4 - 69,0	66,7	37	83	105	44	8	80	4XM8X55	1.0
745-28-0069-112	65	68,5 - 72,0	69,0	37	85	107	44	8	80	4XM8X55	1.0
745-28-0073-112	65	72,5 - 76,5	73,0	37	89	111	44	8	80	4XM8X55	1.0
745-28-0076-112	65	75,0 - 79,0	76,1	37	92	114	44	8	80	4XM8X55	1.0
745-28-0079-112	80	78,8 - 83,0	79,9	37	100	128	59	15	110	4XM12X70	2.0

The designs, materials and specifications shown are subject to change without notice. This is due to the continuous development of our product programme.

AVK REPICO® - SLIP TYPE COUPLING WITH TWO LOCKS (SD)**745/28-112****Non-tensile / Flexible, for all pipes, stainless steel 316, NBR, DN15-1000****Reference nos. and dimensions:**

AVK ref. no.	DN mm	Tolerance mm	Pipe dia. mm	Working Pressure bar	D mm	H12 mm	L10 mm	L11 mm	L12 mm	Bolts (no x M x L)	Theoretical weight / kg
745-28-0084-112	80	82,5 - 86,0	84,0	37	104	132	59	15	110	4XM12X70	2.0
745-28-0089-112	80	88,0 - 92,0	88,9	37	109	137	59	15	110	4XM12X70	2.0
745-28-0101-112	90	100,0 - 104,0	101,6	37	122	150	59	15	110	4XM12X70	2.1
745-28-0104-112	100	102,0 - 106,0	104,0	37	124	152	59	15	110	4XM12X70	2.1
745-28-0106-112	100	105,0 - 108,0	106,3	37	126	154	59	15	110	4XM12X70	2.1
745-28-0108-112	100	106,0 - 110,0	108,0	37	128	156	59	15	110	4XM12X70	2.1
745-28-0114-112	100	113,0 - 118,0	114,3	37	134	162	59	15	110	4XM12X70	2.2
745-28-0127-112	115	125,0 - 129,0	127,0	37	149	181	59	15	111	4XM12X80	2.6
745-28-0129-112	115	127,5 - 131,0	129,0	37	151	183	59	15	111	4XM12X80	2.6
745-28-0133-112	125	131,0 - 135,0	131,7	37	153	185	59	15	111	4XM12X80	2.6
745-28-0139-112	125	138,0 - 142,0	139,7	37	161	193	59	15	111	4XM12X80	2.7
745-28-0141-112	125	139,5 - 144,0	141,3	37	163	195	59	15	111	4XM12X80	2.7
745-28-0154-112	150	151,5 - 156,0	154,0	32	176	208	59	15	111	4XM12X80	2.8
745-28-0159-112	150	156,0 - 161,0	157,7	32	179	211	59	15	111	4XM12X80	2.8
745-28-0165-112	150	164,0 - 168,0	165,2	32	187	219	59	15	111	4XM12X80	2.9
745-28-0168-112	150	166,0 - 170,0	168,3	32	190	222	59	15	111	4XM12X80	2.9
745-28-0180-112	175	178,0 - 183,0	180,0	26	202	234	59	15	111	4XM12X80	3.0
745-28-0200-112	200	198,0 - 203,0	200,0	21	226	265	89	15	150	4XM14X100	5.9
745-28-0204-112	200	202,0 - 206,0	204,0	21	230	269	89	15	150	4XM14X100	5.9
745-28-0216-112	200	214,0 - 219,0	216,3	21	242	281	89	15	150	4XM14X100	6.1
745-28-0219-112	200	216,5 - 222,0	219,1	21	245	284	89	15	150	4XM14X100	6.1
745-28-0254-112	225	251,0 - 257,0	254,0	21	280	319	89	15	150	4XM14X100	6.5
745-28-0267-112	250	262,0 - 270,0	267,4	21	293	332	89	15	150	4XM14X100	6.6
745-28-0273-112	250	270,0 - 277,0	273,0	21	299	338	89	15	150	4XM14X100	6.7
745-28-0304-112	275	301,5 - 309,0	304,0	18	330	369	89	15	150	4XM14X100	7.0
745-28-0318-112	300	316,0 - 323,0	318,5	18	345	383	89	15	150	4XM14X100	7.2
745-28-0323-112	300	322,0 - 329,0	323,9	18	350	388	89	15	150	4XM14X100	7.3
745-28-0355-112	350	352,0 - 361,0	355,6	18	382	420	89	15	150	4XM14X100	7.6
745-28-0406-112	400	402,0 - 411,0	406,4	16	432	481	89	15	150	4XM14X120	8.3
745-28-0457-112	450	453,0 - 462,0	457,2	16	483	532	89	15	150	4XM14X120	8.9
745-28-0508-112	500	504,0 - 513,0	508,0	13	534	583	89	15	150	4XM14X120	9.4
745-28-0558-112	550	555,0 - 564,0	558,8	12	585	633	89	15	150	4XM14X120	10
745-28-0609-112	600	605,0 - 615,0	609,6	11	636	684	89	15	150	4XM14X120	11
745-28-0660-112	650	654,0 - 666,0	660,4	10	686	735	89	15	150	4XM14X120	11
745-28-0711-112	700	705,0 - 717,0	711,2	9	737	786	89	15	150	4XM14X120	12
745-28-0762-112	750	756,0 - 768,0	762,0	9	788	837	89	15	150	4XM14X120	12
745-28-0812-112	800	806,0 - 818,0	812,8	9	839	887	89	15	150	4XM14X120	13
745-28-0863-112	850	857,0 - 869,0	863,6	8	890	938	89	15	150	4XM14X120	13
745-28-0914-112	900	906,0 - 920,0	914,4	8	940	989	89	15	150	4XM14X120	14
745-28-1016-112	1000	1010,0 - 1022,0	1016,0	7	1042	1091	89	15	150	4XM14X120	15

The designs, materials and specifications shown are subject to change without notice. This is due to the continuous development of our product programme.