



AVK REPICO® - GRIP TYPE COUPLING MEDIUM PRESSURE (GMP)

745/03-111

Tensile / axial restraint, for all metal pipes, stainless steel 316, EPDM, DN15-200

AVK's Repico® product program consists of stainless steel pipe couplings and repair clamps for pipe diameters from DN 15 up to DN 2000. The Repico® range offers a quick and simple connection solution for all pipes with possibility of angular deflection and easy handling due to the compact and light weight design.

Product description:

Repico® GMP - Grip type coupling medium pressure (tensile / axial restraint) to connect all metal pipes. For water and neutral liquids -30° C up to +110° C

Test/Approvals:

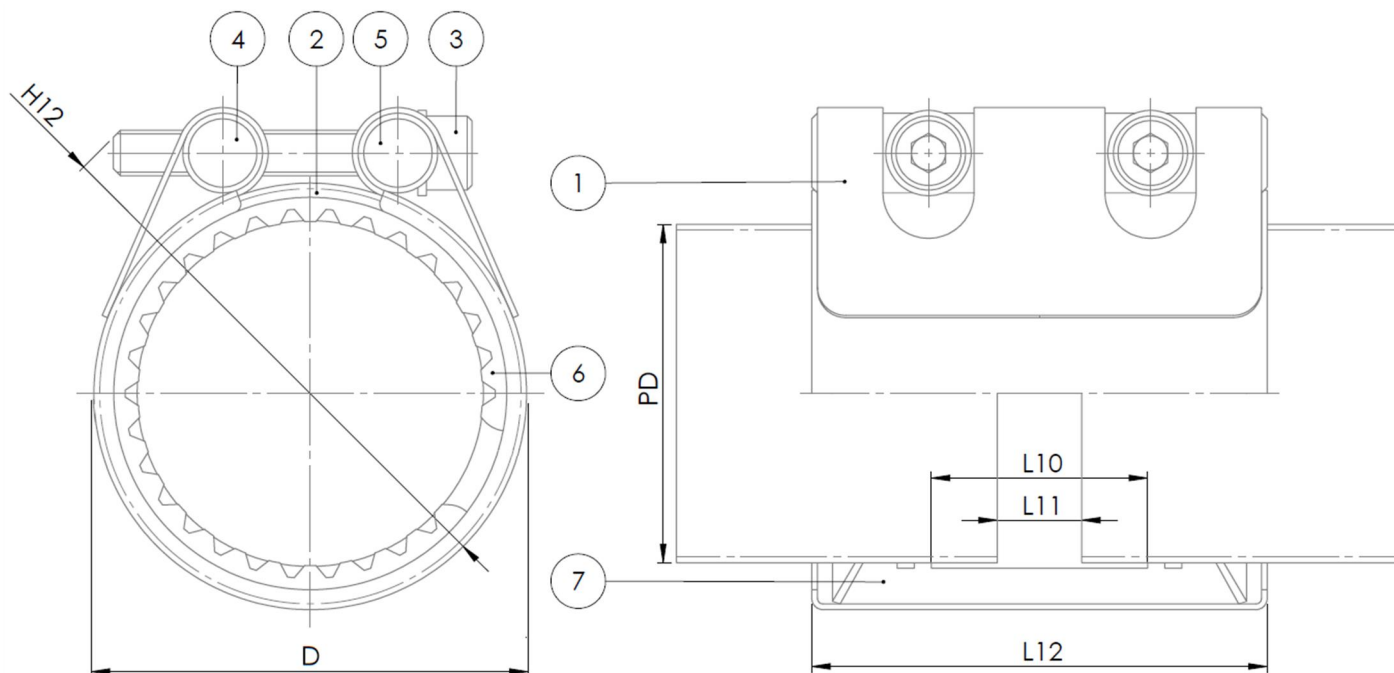
- Rina (pending approval)
- WRAS (pending approval)
- LR (pending approval)
- DNV-GL (pending approval)
- ABS (pending approval)
- BV (pending approval)

Features:

- Grip type coupling medium pressure provides a tensile / axial restraint connection for all metal pipes, allows pipe section replacement and is available in DN 15-200.
- Easy installation by use of a torque wrench, limited space required for installation due to compact design
- Pressure range PN 17-42 (Bar) depending on size
- Progressive sealing and anchoring
- Max. angular deflection 5° for DN 15-50, 4° for DN 65-175 and 2° for DN \geq 200
- Main components of stainless steel 316
- PTFE coated bolts
- Light weight, appr. 30% in comparison with flanged connections
- 60% noise reduction compared to rigid connections



Expect ... **AVR**



Component list:

1. Body	Stainless steel 316	5. Washer	Stainless steel 316
2. Side plate	Stainless steel 316	6. Grip segment	Stainless steel 301
3. Bolt	Stainless steel 316 / PTFE	7. Sealing	EPDM rubber
4. Nut	Stainless steel 316		

Components may be substituted with equivalent or higher class materials without prior notification.

Reference nos. and dimensions:

AVK ref. no.	DN	Tolerance	Pipe dia.	Working Pressure	D	H12	L10	L11	L12	Bolts	Theoretical weight / kg
	mm	mm	mm	bar	mm	mm	mm	mm	mm	(no x M x L)	
745-03-0020-11101	15	19.5 - 20.5	20,0	42	29	48	28	8	60	2XM6X45	0.2
745-03-0021-11101	15	21.2 - 22.2	21.3	42	31	49	28	8	60	2XM6X45	0.2
745-03-0025-11101	20	24.5 - 25.5	25,0	42	38	57	28	8	60	2XM8X45	0.3
745-03-0027-11101	20	26.7 - 27.7	26.7	42	40	58	28	8	60	2XM8X45	0.3
745-03-0028-11101	25	27.5 - 29	28.2	42	42	62	28	8	60	2XM8X50	0.4
745-03-0030-11101	25	29.5 - 30.5	30,0	42	43	64	28	8	60	2XM8X50	0.4
745-03-0032-11101	25	31.5 - 32.5	32,0	39	45	66	28	8	60	2XM8X50	0.4
745-03-0034-11101	25	33 - 34.6	33.4	39	47	68	28	8	60	2XM8X50	0.4
745-03-0038-11101	32	37.5 - 38.5	38,0	35	51	75	28	8	60	2XM8X55	0.4
745-03-0040-11101	32	39.5 - 41.5	40,0	35	53	77	28	8	60	2XM8X55	0.4
745-03-0042-11101	32	41.9 - 43	42.2	35	56	79	28	8	60	2XM8X55	0.4
745-03-0044-11101	32	44 - 45	44.5	35	58	81	28	8	60	2XM8X55	0.4
745-03-0048-11101	40	47.8 - 49	48.3	35	62	85	28	8	60	2XM8X55	0.4
745-03-0050-11101	45	49.5 - 51.5	50.8	35	64	88	28	8	60	2XM8X55	0.4
745-03-0054-11101	50	53.4 - 54.6	54,0	35	70	92	44	8	80	2XM8X55	0.7
745-03-0057-11101	50	56.4 - 57.6	57,0	35	73	95	44	8	80	2XM8X55	0.7
745-03-0060-11101	50	59 - 61.5	60.3	35	76	98	44	8	80	2XM8X55	0.7
745-03-0063-11101	50	62.4 - 63.6	63,0	35	79	101	44	8	80	2XM8X55	0.7
745-03-0066-11101	65	65.2 - 67.3	66.7	35	83	105	44	8	80	2XM8X55	0.7
745-03-0069-11101	65	68 - 70.1	69,0	33	85	107	44	8	80	2XM8X55	0.7
745-03-0073-11101	65	71.5 - 74.1	73,0	32	89	111	44	8	80	2XM8X55	0.8
745-03-0076-11101	65	75 - 77.2	76.1	32	92	114	44	8	80	2XM8X55	0.8
745-03-0079-11101	80	78.8 - 80.8	79.9	29	100	128	59	15	110	2XM12X70	1.4

The designs, materials and specifications shown are subject to change without notice. This is due to the continuous development of our product programme.

AVK REPICO® - GRIP TYPE COUPLING MEDIUM PRESSURE (GMP)**745/03-111****Tensile / axial restraint, for all metal pipes, stainless steel 316, EPDM, DN15-200****Reference nos. and dimensions:**

AVK ref. no.	DN mm	Tolerance mm	Pipe dia. mm	Working Pressure bar	D mm	H12 mm	L10 mm	L11 mm	L12 mm	Bolts (no x M x L)	Theoretical weight / kg
745-03-0084-11101	80	83 - 84.9	84,0	27	104	132	59	15	110	2XM12X70	1.4
745-03-0089-11101	80	87.8 - 91	88.9	23	109	137	59	15	110	2XM12X70	1.5
745-03-0101-11101	90	100.4 - 102	101.6	23	122	150	59	15	110	2XM12X70	1.5
745-03-0104-11101	100	103 - 104	104,0	23	124	152	59	15	110	2XM12X70	1.6
745-03-0106-11101	100	105 - 107	106.3	23	126	154	59	15	110	2XM12X70	1.6
745-03-0108-11101	100	106.5 - 108	108,0	22	128	156	59	15	110	2XM12X70	1.6
745-03-0114-11101	100	113.2 - 115	114.3	20	134	162	59	15	110	2XM12X70	1.7
745-03-0127-11101	115	125.6 - 128	127,0	20	149	181	59	15	111	2XM12X80	2.1
745-03-0129-11101	115	127.5 - 130	129,0	20	151	183	59	15	111	2XM12X80	2.1
745-03-0133-11101	125	131.6 - 134	131.7	20	153	185	59	15	111	2XM12X80	2.1
745-03-0139-11101	125	137.7 - 140	139.7	17	161	193	59	15	111	2XM12X80	2.2
745-03-0141-11101	125	139.7 - 142	141.3	17	163	195	59	15	111	2XM12X80	2.2
745-03-0154-11101	150	151.5 - 155	154,0	17	176	208	59	15	111	2XM12X80	2.3
745-03-0159-11101	150	156.5 - 160	157.7	17	179	211	59	15	111	2XM12X80	2.3
745-03-0165-11101	150	163.3 - 166	165.2	17	187	219	59	15	111	2XM12X80	2.4
745-03-0168-11101	150	166.6 - 170	168.3	17	190	222	59	15	111	2XM12X80	2.4
745-03-0180-11101	175	178 - 182	180,0	17	202	234	59	15	111	2XM12X80	2.5
745-03-0200-11101	200	198.2 - 201	200,0	17	226	265	89	15	150	2XM14X100	4.6
745-03-0204-11101	200	202.7 - 206	204,0	17	230	269	89	15	150	2XM14X100	4.7
745-03-0216-11101	200	214.5 - 218	216.3	17	242	281	89	15	150	2XM14X100	4.8
745-03-0219-11101	200	217 - 221	219.1	17	245	284	89	15	150	2XM14X100	4.9