



## AVK REPICO® - SLIP TYPE COUPLING WITH TWO LOCKS (SD)

745/28-111

Non-tensile / Flexible, for all pipes, stainless steel 316, EPDM, DN15-1000



AVK's Repico® product program consists of stainless steel pipe couplings and repair clamps for pipe diameters from DN 15 up to DN 2000. The Repico® range offers a quick and simple connection solution for all pipes with possibility of angular deflection and easy handling due to the compact and light weight design.



### Product description:

Repico® SD - Slip type coupling with two locks (non-tensile / flexible) to connect all pipes. For water and neutral liquids - 30° C up to +110° C



### Test/Approvals:

- Rina (pending approval)
- WRAS (pending approval)
- LR (pending approval)
- DNV-GL (pending approval)
- ABS (pending approval)
- BV (pending approval)

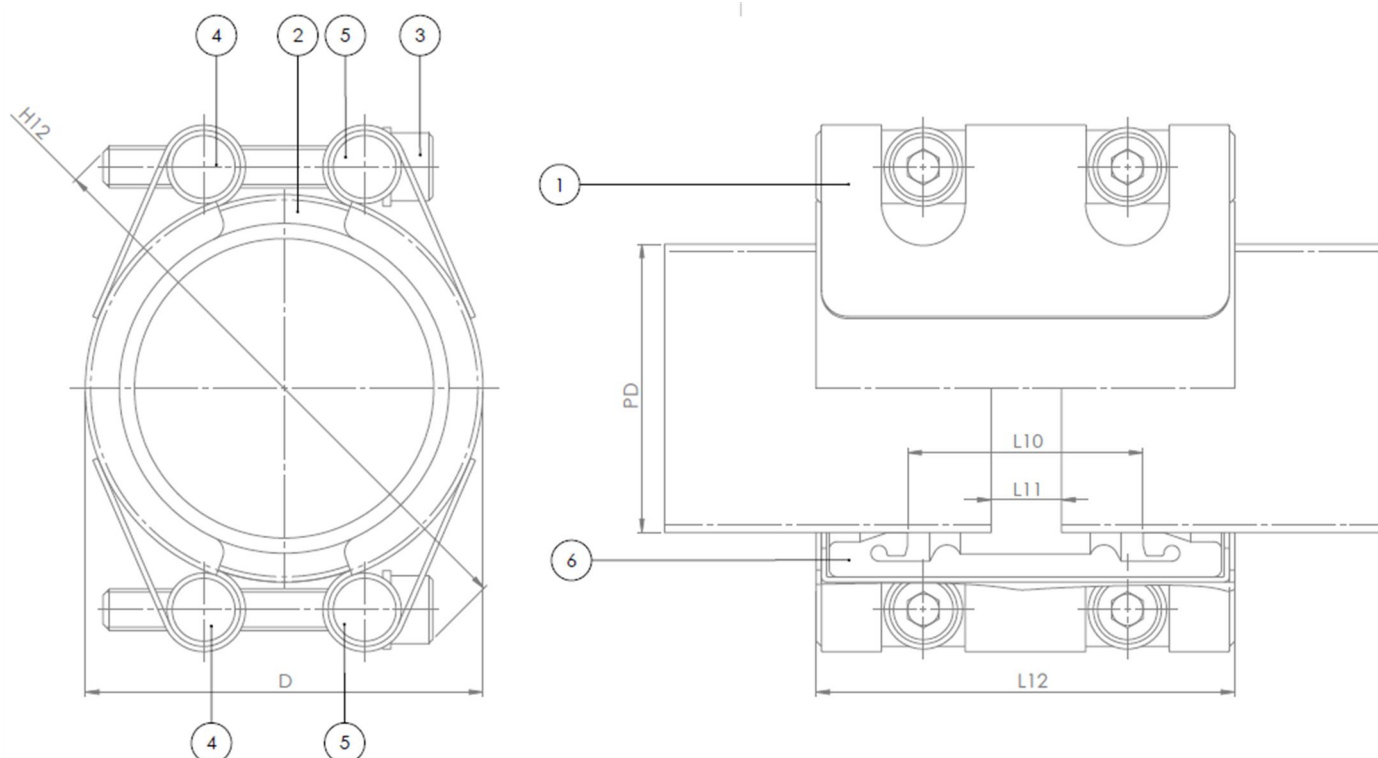


### Features:

- Slip type coupling with two locks provides a connection solution for all pipes that need to be able to expand/contract and/or support the restraint pipe. Available in DN 15-1000
- Progressive sealing
- Easy installation by use of a torque wrench, limited space required for installation due to compact design
- Pressure range PN 7-42 (Bar) depending on size
- Max. angular deflection 5° for DN 15-50, 4° for DN 65-175 and 2° for DN >= 200
- Made of stainless steel 316
- Green PTFE coated bolts
- Light weight, appr. 30% in comparison with flanged connections
- 60% noise reduction compared to rigid connections



Expect ... **AVK**



**Component list:**

1. Body	Stainless steel 316	4. Nut	Stainless steel 316
2. Side plate	Stainless steel 316	5. Washer	Stainless steel 316
3. Bolt	Stainless steel 316 / PTFE	6. Sealing	EPDM rubber

Components may be substituted with equivalent or higher class materials without prior notification.

**Reference nos. and dimensions:**

AVK ref. no.	DN mm	Tolerance mm	Pipe dia. mm	Working Pressure bar	D mm	H12 mm	L10 mm	L11 mm	L12 mm	Bolts (no x M x L)	Theoretical weight / kg
745-28-0015-111	15	15,3 - 17,0	15,5	42	25	43	28	8	60	4XM6X45	0.3
745-28-0020-111	15	19,5 - 21,3	20,0	42	33	52	28	8	60	4XM6X45	0.3
745-28-0021-111	15	21,0 - 23,0	21,3	42	35	53	28	8	60	4XM6X45	0.3
745-28-0025-111	20	24,0 - 26,5	25,0	42	38	57	28	8	60	4XM6X45	0.5
745-28-0027-111	20	26,0 - 28,5	26,7	42	40	58	28	8	60	4XM6X45	0.5
745-28-0028-111	25	26,4 - 29,5	28,2	42	42	62	28	8	60	4XM6X45	0.5
745-28-0030-111	25	29,0 - 31,5	30,0	42	43	64	28	8	60	4XM6X45	0.5
745-28-0032-111	25	31,0 - 33,5	32,0	42	45	66	28	8	60	4XM6X45	0.5
745-28-0034-111	25	33,0 - 35,5	33,4	42	47	68	28	8	60	4XM6X45	0.5
745-28-0038-111	32	37,0 - 39,5	38,0	42	51	75	28	8	60	4XM6X45	0.6
745-28-0040-111	32	39,5 - 41,8	40,0	42	53	77	28	8	60	4XM6X45	0.6
745-28-0042-111	32	42,0 - 44,5	42,2	42	56	79	28	8	60	4XM6X45	0.6
745-28-0044-111	32	44,0 - 46,5	44,5	42	58	81	28	8	60	4XM6X45	0.6
745-28-0048-111	40	47,5 - 50,5	48,3	42	62	85	28	8	60	4XM6X45	0.6
745-28-0050-111	45	49,2 - 51,5	50,8	42	64	88	28	8	60	4XM6X45	0.6
745-28-0054-111	50	53,0 - 56,0	54,0	42	70	92	44	8	80	4XM8X55	0.9
745-28-0057-111	50	56,0 - 59,0	57,0	42	73	95	44	8	80	4XM8X55	0.9
745-28-0060-111	50	59,0 - 62,0	60,3	42	76	98	44	8	80	4XM8X55	0.9
745-28-0063-111	50	62,0 - 65,0	63,0	42	79	101	44	8	80	4XM8X55	0.9
745-28-0066-111	65	65,4 - 69,0	66,7	37	83	105	44	8	80	4XM8X55	1.0
745-28-0069-111	65	68,5 - 72,0	69,0	37	85	107	44	8	80	4XM8X55	1.0
745-28-0073-111	65	72,5 - 76,5	73,0	37	89	111	44	8	80	4XM8X55	1.0
745-28-0076-111	65	75,0 - 79,0	76,1	37	92	114	44	8	80	4XM8X55	1.0
745-28-0079-111	80	78,8 - 83,0	79,9	37	100	128	59	15	110	4XM12X70	2.0

The designs, materials and specifications shown are subject to change without notice. This is due to the continuous development of our product programme.

**AVK REPICO® - SLIP TYPE COUPLING WITH TWO LOCKS (SD)****745/28-111****Non-tensile / Flexible, for all pipes, stainless steel 316, EPDM, DN15-1000****Reference nos. and dimensions:**

AVK ref. no.	DN mm	Tolerance mm	Pipe dia. mm	Working Pressure bar	D mm	H12 mm	L10 mm	L11 mm	L12 mm	Bolts (no x M x L)	Theoretical weight / kg
745-28-0084-111	80	82,5 - 86,0	84,0	37	104	132	59	15	110	4XM12X70	2.0
745-28-0089-111	80	88,0 - 92,0	88,9	37	109	137	59	15	110	4XM12X70	2.0
745-28-0101-111	90	100,0 - 104,0	101,6	37	122	150	59	15	110	4XM12X70	2.1
745-28-0104-111	100	102,0 - 106,0	104,0	37	124	152	59	15	110	4XM12X70	2.1
745-28-0106-111	100	105,0 - 108,0	106,3	37	126	154	59	15	110	4XM12X70	2.1
745-28-0108-111	100	106,0 - 110,0	108,0	37	128	156	59	15	110	4XM12X70	2.1
745-28-0114-111	100	113,0 - 118,0	114,3	37	134	162	59	15	110	4XM12X70	2.2
745-28-0127-111	115	125,0 - 129,0	127,0	37	149	181	59	15	111	4XM12X80	2.6
745-28-0129-111	115	127,5 - 131,0	129,0	37	151	183	59	15	111	4XM12X80	2.6
745-28-0133-111	125	131,0 - 135,0	131,7	37	153	185	59	15	111	4XM12X80	2.6
745-28-0139-111	125	138,0 - 142,0	139,7	37	161	193	59	15	111	4XM12X80	2.7
745-28-0141-111	125	139,5 - 144,0	141,3	37	163	195	59	15	111	4XM12X80	2.7
745-28-0154-111	150	151,5 - 156,0	154,0	32	176	208	59	15	111	4XM12X80	2.8
745-28-0159-111	150	156,0 - 161,0	157,7	32	179	211	59	15	111	4XM12X80	2.8
745-28-0165-111	150	164,0 - 168,0	165,2	32	187	219	59	15	111	4XM12X80	2.9
745-28-0168-111	150	166,0 - 170,0	168,3	32	190	222	59	15	111	4XM12X80	2.9
745-28-0180-111	175	178,0 - 183,0	180,0	26	202	234	59	15	111	4XM12X80	3.0
745-28-0200-111	200	198,0 - 203,0	200,0	21	226	265	89	15	150	4XM14X100	5.9
745-28-0204-111	200	202,0 - 206,0	204,0	21	230	269	89	15	150	4XM14X100	5.9
745-28-0216-111	200	214,0 - 219,0	216,3	21	242	281	89	15	150	4XM14X100	6.1
745-28-0219-111	200	216,5 - 222,0	219,1	21	245	284	89	15	150	4XM14X100	6.1
745-28-0254-111	225	251,0 - 257,0	254,0	21	280	319	89	15	150	4XM14X100	6.5
745-28-0267-111	250	262,0 - 270,0	267,4	21	293	332	89	15	150	4XM14X100	6.6
745-28-0273-111	250	270,0 - 277,0	273,0	21	299	338	89	15	150	4XM14X100	6.7
745-28-0304-111	275	301,5 - 309,0	304,0	18	330	369	89	15	150	4XM14X100	7.0
745-28-0318-111	300	316,0 - 323,0	318,5	18	345	383	89	15	150	4XM14X100	7.2
745-28-0323-111	300	322,0 - 329,0	323,9	18	350	388	89	15	150	4XM14X100	7.3
745-28-0355-111	350	352,0 - 361,0	355,6	18	382	420	89	15	150	4XM14X100	7.6
745-28-0406-111	400	402,0 - 411,0	406,4	16	432	481	89	15	150	4XM14X120	8.3
745-28-0457-111	450	453,0 - 462,0	457,2	16	483	532	89	15	150	4XM14X120	8.9
745-28-0508-111	500	504,0 - 513,0	508,0	13	534	583	89	15	150	4XM14X120	9.4
745-28-0558-111	550	555,0 - 564,0	558,8	12	585	633	89	15	150	4XM14X120	10
745-28-0609-111	600	605,0 - 615,0	609,6	11	636	684	89	15	150	4XM14X120	11
745-28-0660-111	650	654,0 - 666,0	660,4	10	686	735	89	15	150	4XM14X120	11
745-28-0711-111	700	705,0 - 717,0	711,2	9	737	786	89	15	150	4XM14X120	12
745-28-0762-111	750	756,0 - 768,0	762,0	9	788	837	89	15	150	4XM14X120	12
745-28-0812-111	800	806,0 - 818,0	812,8	9	839	887	89	15	150	4XM14X120	13
745-28-0863-111	850	857,0 - 869,0	863,6	8	890	938	89	15	150	4XM14X120	13
745-28-0914-111	900	906,0 - 920,0	914,4	8	940	989	89	15	150	4XM14X120	14
745-28-1016-111	1000	1010,0 - 1022,0	1016,0	7	1042	1091	89	15	150	4XM14X120	15

The designs, materials and specifications shown are subject to change without notice. This is due to the continuous development of our product programme.