



AVK REPICO® - GRIP TYPE COUPLING (G)

745/01-111

Tensile / axial restraint, for all metal pipes, stainless steel 316, EPDM, DN15-400

AVK's Repico® product program consists of stainless steel pipe couplings and repair clamps for pipe diameters from DN 15 up to DN 2000. The Repico® range offers a quick and simple connection solution for all pipes with possibility of angular deflection and easy handling due to the compact and light weight design.

Product description:

Repico® G - Grip type coupling (tensile / axial restraint) to connect all metal pipes. For water and neutral liquids -30° C up to +110° C

Test/Approvals:

- Rina (pending approval)
- WRAS (pending approval)
- LR (pending approval)
- DNV-GL (pending approval)
- ABS (pending approval)
- BV (pending approval)

Features:

- Grip type coupling provides a tensile / axial restraint connection for all metal pipes, allows pipe section replacement, suitable for high pressure, and is available in DN 15-400
- Easy installation by use of a torque wrench, limited space required for installation due to compact design
- Pressure range PN 16-42 (Bar) depending on size
- Progressive sealing and anchoring
- Max. angular deflection 5° for DN 15-50, 4° for DN 65-175 and 2° for DN >= 200
- Main components of stainless steel 316
- Green PTFE coated bolts
- Light weight, appr. 30% in comparison with flanged connections
- 60% noise reduction compared to rigid connections

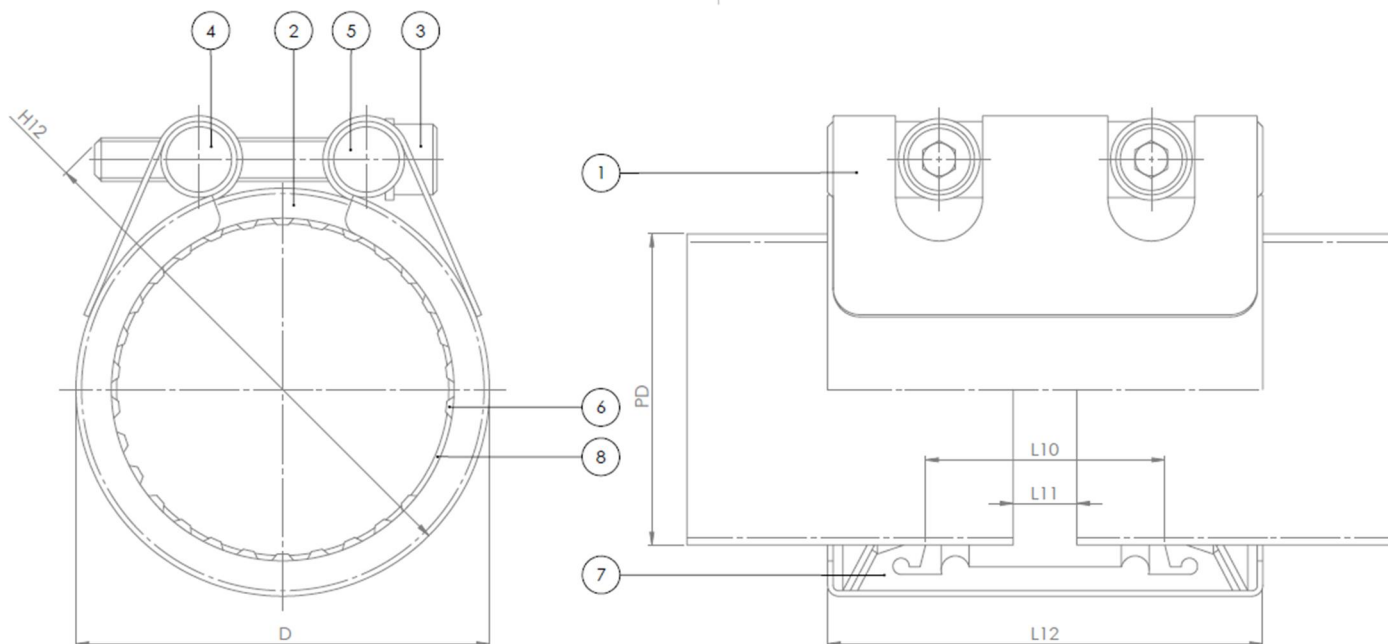


Expect ... **AVK**

AVK REPICO® - GRIP TYPE COUPLING (G)

745/01-111

Tensile / axial restraint, for all metal pipes, stainless steel 316, EPDM, DN15-400



Component list:

1. Body	Stainless steel 316	5. Washer	Stainless steel 316
2. Side plate	Stainless steel 316	6. Grip segment	Stainless steel 301
3. Bolt	Stainless steel 316 / PTFE	7. Sealing	EPDM rubber
4. Nut	Stainless steel 316	8. Support ring	Stainless steel 301

Components may be substituted with equivalent or higher class materials without prior notification.

Reference nos. and dimensions:

AVK ref. no.	DN	Tolerance	Pipe dia.	Working Pressure	D	H12	L10	L11	L12	Bolts (no x M x L)	Theoretical weight / kg
	mm	mm	mm	bar	mm	mm	mm	mm	mm		
745-01-0020-11101	15	19,5 - 20,5	20,0	42	29	48	28	8	60	2XM6X45	0.2
745-01-0021-11101	15	21,2 - 22,2	21,3	42	31	49	28	8	60	2XM6X45	0.2
745-01-0025-11101	20	24,5 - 25,5	25,0	42	38	57	28	8	60	2XM8X45	0.3
745-01-0027-11101	20	26,7 - 27,7	26,7	42	40	58	28	8	60	2XM8X45	0.3
745-01-0028-11101	25	27,5 - 29,0	28,2	42	42	62	28	8	60	2XM8X50	0.4
745-01-0030-11101	25	29,5 - 30,5	30,0	42	43	64	28	8	60	2XM8X50	0.4
745-01-0032-11101	25	31,5 - 32,5	32,0	42	45	66	28	8	60	2XM8X50	0.4
745-01-0034-11101	25	33,0 - 34,6	33,4	42	47	68	28	8	60	2XM8X50	0.4
745-01-0038-11101	32	37,5 - 38,5	38,0	42	51	75	28	8	60	2XM8X55	0.4
745-01-0040-11101	32	39,5 - 41,5	40,0	42	53	77	28	8	60	2XM8X55	0.4
745-01-0042-11101	32	41,9 - 43,0	42,2	42	56	79	28	8	60	2XM8X55	0.4
745-01-0044-11101	32	44,0 - 45,0	44,5	42	58	81	28	8	60	2XM8X55	0.4
745-01-0050-11101	45	49,5 - 51,5	50,8	42	64	88	28	8	60	2XM8X55	0.4
745-01-0054-11101	50	53,4 - 54,6	54,0	42	70	92	44	8	80	2XM8X55	0.7
745-01-0057-11101	50	56,4 - 57,6	57,0	42	73	95	44	8	80	2XM8X55	0.7
745-01-0060-11101	50	59,0 - 61,5	60,3	42	76	98	44	8	80	2XM8X55	0.7
745-01-0063-11101	50	62,4 - 63,6	63,0	42	79	101	44	8	80	2XM8X55	0.7
745-01-0066-11101	65	65,2 - 67,3	66,7	37	83	105	44	8	80	2XM8X55	0.7
745-01-0069-11101	65	68,0 - 70,1	69,0	37	85	107	44	8	80	2XM8X55	0.7
745-01-0073-11101	65	71,5 - 74,1	73,0	37	89	111	44	8	80	2XM8X55	0.8
745-01-0076-11101	65	75,0 - 77,2	76,1	37	92	114	44	8	80	2XM8X55	0.8
745-01-0079-11101	80	78,8 - 80,8	79,9	37	100	128	59	15	110	2XM12X70	1.4
745-01-0084-11101	80	83,0 - 84,9	84,0	37	104	132	59	15	110	2XM12X70	1.4

The designs, materials and specifications shown are subject to change without notice. This is due to the continuous development of our product programme.

AVK REPICO® - GRIP TYPE COUPLING (G)**745/01-111****Tensile / axial restraint, for all metal pipes, stainless steel 316, EPDM, DN15-400****Reference nos. and dimensions:**

AVK ref. no.	DN mm	Tolerance mm	Pipe dia. mm	Working Pressure bar	D mm	H12 mm	L10 mm	L11 mm	L12 mm	Bolts (no x M x L)	Theoretical weight / kg
745-01-0089-11101	80	87,8 - 91,0	88,9	37	109	137	59	15	110	2XM12X70	1.5
745-01-0101-11101	90	100,4 - 102,0	101,6	37	122	150	59	15	110	2XM12X70	1.5
745-01-0104-11101	100	103,0 - 104,0	104,0	37	124	152	59	15	110	2XM12X70	1.6
745-01-0106-11101	100	105,0 - 107,0	106,3	37	126	154	59	15	110	2XM12X70	1.6
745-01-0127-11101	115	125,6 - 128,0	127,0	37	149	181	59	15	111	2XM12X80	2.1
745-01-0129-11101	115	127,5 - 130,0	129,0	37	151	183	59	15	111	2XM12X80	2.1
745-01-0133-11101	125	131,6 - 134,0	131,7	37	153	185	59	15	111	2XM12X80	2.1
745-01-0139-11101	125	137,7 - 140,0	139,7	37	161	193	59	15	111	2XM12X80	2.2
745-01-0141-11101	125	139,7 - 142,0	141,3	37	163	195	59	15	111	2XM12X80	2.2
745-01-0154-11101	150	151,5 - 155,0	154,0	32	176	208	59	15	111	2XM12X80	2.3
745-01-0159-11101	150	156,5 - 160,0	157,7	32	179	211	59	15	111	2XM12X80	2.3
745-01-0165-11101	150	163,3 - 166,0	165,2	32	187	219	59	15	111	2XM12X80	2.4
745-01-0168-11101	150	166,6 - 170,0	168,3	32	190	222	59	15	111	2XM12X80	2.4
745-01-0180-11101	175	178,0 - 182,0	180,0	26	202	234	59	15	111	2XM12X80	2.5
745-01-0200-11101	200	198,2 - 201,0	200,0	21	226	265	89	15	150	2XM14X100	4.6
745-01-0204-11101	200	202,7 - 206,0	204,0	21	230	269	89	15	150	2XM14X100	4.7
745-01-0216-11101	200	214,5 - 218,0	216,3	21	242	281	89	15	150	2XM14X100	4.8
745-01-0219-11101	200	217,0 - 221,0	219,1	21	245	284	89	15	150	2XM14X100	4.9
745-01-0254-11101	225	251,4 - 256,0	254,0	21	280	319	89	15	150	2XM14X100	5.3
745-01-0267-11101	250	264,8 - 270,0	267,4	21	293	332	89	15	150	2XM14X100	5.5
745-01-0273-11101	250	270,4 - 275,0	273,0	21	299	338	89	15	150	2XM14X100	5.6
745-01-0304-11101	275	301,5 - 306,0	304,0	18	330	369	89	15	150	2XM14X100	6.0
745-01-0318-11101	300	316,0 - 322,0	318,5	18	345	383	89	15	150	2XM14X100	6.2
745-01-0323-11101	300	321,0 - 327,0	323,9	18	350	388	89	15	150	2XM14X100	6.3
745-01-0355-11101	350	352,0 - 360,0	355,6	18	382	420	89	15	150	2XM14X100	6.7
745-01-0406-11101	400	402,0 - 410,0	406,4	16	432	471	89	15	150	2XM14X100	7.4