



## AVK UNIVERSAL SUPA® STRAIGHT COUPLING, PN16

601/A-006

Mild steel GEOMET Coated bolts/nuts, WRAS approved EPDM sealings



AVK Supa® is a range of universal straight couplings, step couplings and flange adaptors for cast iron, ductile iron, steel, uPVC and asbestos cement pipes. Supa® couplings are easy to mount due to the anti-friction coated bolts and nuts and the possibility of up to  $\pm 4^\circ$  angular deflection. The Mild steel GEOMET bolts/nuts and the high quality coating offer a durable corrosion protection.

### Product description:

Universal Supa® coupling - bolts/nuts of mild steel for drinking water and neutral liquids to max. 70°C. Maximum working pressure 16 bar. Insulation essential for temperatures of 0°C and below.

### Design standards:

- EN 14525, BS8561-2013
- Drinking Water Inspectorate Regulation 31 compliant
- 1.5 x PN

### Test/Approvals:

- All components/material which contact water comply with BS6920
- WRAS approved materials

### Features:

- Mild steel GEOMET coated bolts/nuts comply with WIS4-52-03
- Light weight design
- $\pm 4^\circ$  angular deflection on each side
- Drinking water approved EPDM gasket
- Mild steel bolts/nuts with GEOMET coating offer a durable corrosion protection
- The bolt ends are protected with plastic caps
- The moulded ribs in the gasket absorb minor imperfections in the pipe
- Versatile design tolerances typical 26 mm to cover all pipe materials
- Ductile iron with epoxy coating according to DIN 3476

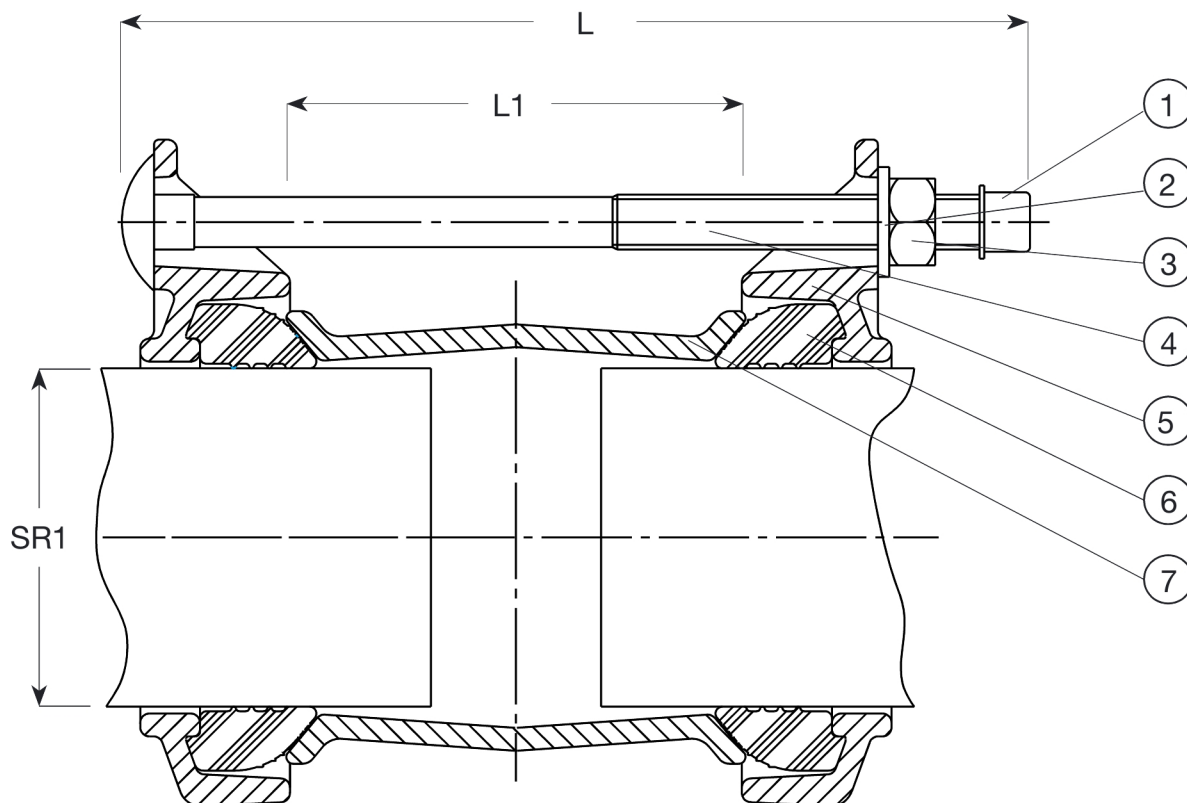
### Note:

- **This fitting is not designed for end load resistant applications**
- **Suitable for use on 304 & 316 stainless steel pipe  $\leq 304$  O.D &  $\geq 2$ mm wall thickness**



Expect ... **AVR**

The designs, materials and specifications shown are subject to change without notice due to the continuous development of our product range.

**AVK UNIVERSAL SUPA® STRAIGHT COUPLING, PN16****601/A-006****Mild steel GEOMET Coated bolts/nuts, WRAS approved EPDM sealings****Component list:**

1. Bolt cap	Plastic	5. Gland ring	Ductile Iron
2. Washer	Steel gr. 8.8, zinc plated, passivated	6. Seal	EPDM rubber
3. Nuts	Steel gr. 8.8	7. Centre sleeve	Ductile Iron
4. Bolt	Steel gr. 8.8		

Components may be substituted with equivalent or higher class materials without prior notification.

**Reference nos. and dimensions:**

Ref. No.	DN mm	Product PN Class	L mm	L1 mm	Range mm	Theoretical weight/kg
601-063-000-4200	40	PN16	190	100	46 - 63	2.9
601-074-000-4200	50	PN16	190	100	57 - 74	2.9
601-085-000-4200	65	PN16	190	100	68 - 85	3.9
601-106-000-4200	80	PN16	190	100	84 - 106	4.9
601-119-000-4200	80	PN16	190	100	99 - 119	5.5
601-133-000-4200	100	PN16	190	100	109 - 133	5.5
601-157-000-4200	125	PN16	190	100	132 - 157	6.5
601-183-000-4200	150	PN16	210	115	157 - 183	7.5
601-215-000-4200	200	PN16	210	115	193 - 215	9.4
601-242-000-4200	200	PN16	230	140	218 - 242	11
601-268-000-4200	225	PN16	230	140	242 - 268	13
601-292-000-4200	250	PN16	250	160	266 - 292	16
601-327-000-4200	300	PN16	250	160	301 - 327	16
601-350-000-4200	300	PN16	250	160	324 - 350	17
601-378-000-4200	350	PN16	270	160	352 - 378	22
601-396-000-4200	350	PN16	270	160	372 - 397	22
601-410-000-4200	350	PN16	270	160	384 - 410	22
601-436-000-4200	400	PN16	270	160	410 - 436	22
601-462-000-4200	400	PN16	270	160	436 - 462	23

The designs, materials and specifications shown are subject to change without notice due to the continuous development of our product range.