



AVK SURFACE BOX, HEIGHT ADJUSTABLE, M

80/31-100

For distribution valves, H-4056V HD-GG, heavy duty, round top

AVK offers a wide range of fixed and height adjustable surface boxes in various dimensions, which can be used in many fields of application. Apart from economic benefits, AVK synthetic surface boxes are lightweight, user-friendly, easy to open, noiseless and maintenance free. Most of AVK surface boxes are designed and approved according to DIN/EN standards, but can also be designed according to local standards or customer specifications. The carbon footprint (CO₂ emission) of synthetic surface boxes, measured from resource to end of life, is significantly lower compared to surface boxes made of traditional materials, making AVK surface boxes ecologically sound.

Product description:

Height adjustable surface box with cast iron lid, for distribution valves, design according to DIN 4056, standard lid inscription: W

Test/Approvals:

- Approved according to DVGW

Features:

- Lightweight, user-friendly, silent and maintenance free
- 100% recyclable and significantly less use of resources compared to traditional materials
- Manufactured out of high grade recycled materials
- Ribs in housing ensure optimal fixation in road foundation
- Selected materials for housing and lid ensure easy opening at all times
- Heat resistant to max. 250 °C
- Suitable for low-temperature applications
- Large height range and flexible positioning of top part
- Inscription in lid to be positioned easily
- No height adjustment needed after installation, saving time and costs
- Floating top part following road settlement ensuring perfect alignment at all times
- O-ring only to be used for determining final position of top part
- D400 load bearing capacity

Optional

- Available as lockable version making the surface box tamperproof
- Various colours and lid inscriptions possible
- Spring around bolt ensuring lid will stay in its place

Accessories:

Support tile I (FSL, FSS, SI)



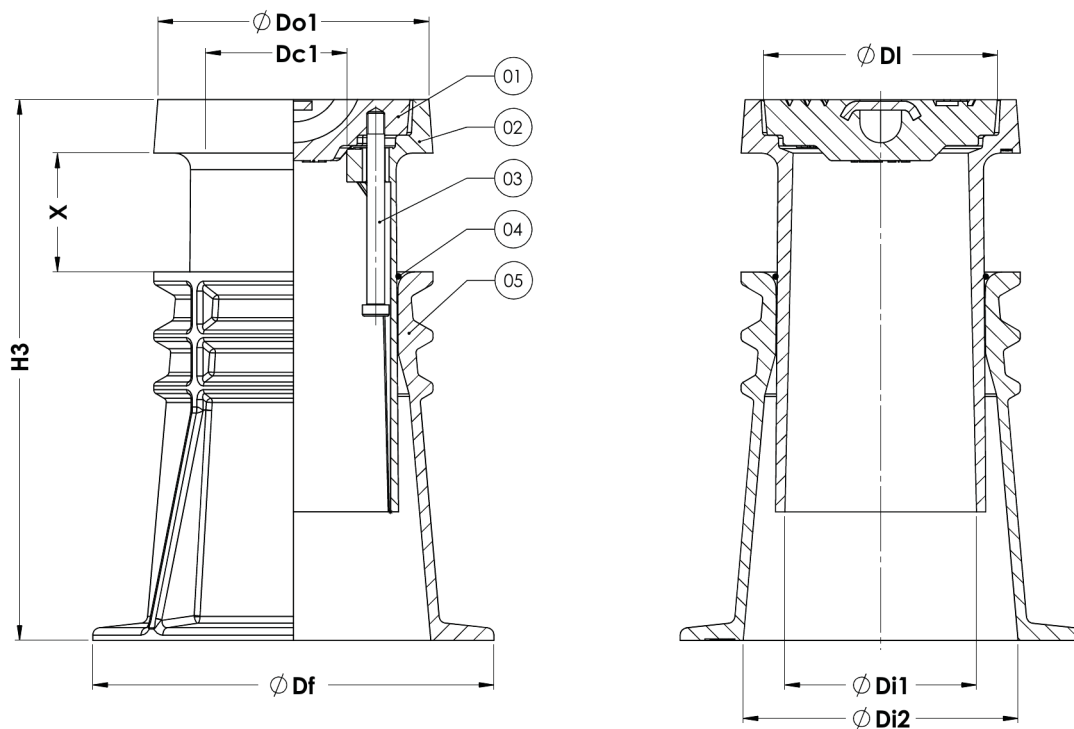
CO₂ REDUCTION

Expect ... **AVK**

The designs, materials and specifications shown are subject to change without notice. This is due to the continuous development of our product programme.

AVK SURFACE BOX, HEIGHT ADJUSTABLE, M
 For distribution valves, H-4056V HD-GG, heavy duty, round top

80/31-100



Component list:

1. Lid	Cast iron GJL-200 (GG-20)	4. O-ring	EPDM rubber
2. Housing top part	PA+	5. Housing bottom part	PA+
3. Bolt, socket head	Stainless steel A2-70		

Components may be substituted with equivalent or higher class materials without prior notification.

Reference nos. and dimensions:

AVK ref. no.	Do1	DI	Dc1	Di1	Di2	Df	H3	X	Weight	Weight	Theoretical
	mm	mm	mm	mm	mm	mm	mm	mm	Box / kg	Lid / kg	weight / kg
80-31-1000000 (1)	182	160	118 / 95	129	185	270	365-485	80-200	3.0	3.9	6,9

(1) Inscription: W