



AVK SYNTHETIC SURFACE BOX TYPE PERA

80/40-000

For distribution valves, Pera HD-GG

AVK offers a wide range of fixed and height adjustable surface boxes in various dimensions, which can be used in many fields of application. Apart from economic benefits, AVK synthetic surface boxes are lightweight, user-friendly, easy to open, noiseless and maintenance free. Most of AVK surface boxes are designed and approved according to DIN/EN standards, but can also be designed according to local standards or customer specifications. The carbon footprint (CO₂ emission) of synthetic surface boxes, measured from resource to end of life, is significantly lower compared to surface boxes made of traditional materials, making AVK surface boxes ecologically sound.

Product description:

Fixed height surface box with cast iron lid, for distribution valves, standard inscription plate: WATER or GAS

Features:

- Lightweight, user-friendly, silent and maintenance free
- 100% recyclable and significantly less use of resources compared to traditional materials
- Manufactured out of high grade recycled materials
- Ribs in housing ensure optimal fixation in road foundation
- Selected materials for housing and lid ensure easy opening at all times
- Heat resistant to max. 160 °C
- Suitable for low-temperature applications
- B125 load bearing capacity

Optional

- Various colours and lid inscriptions possible

Accessories:

Support tile I (FSL, FSS, SI)

Top frame gate valve

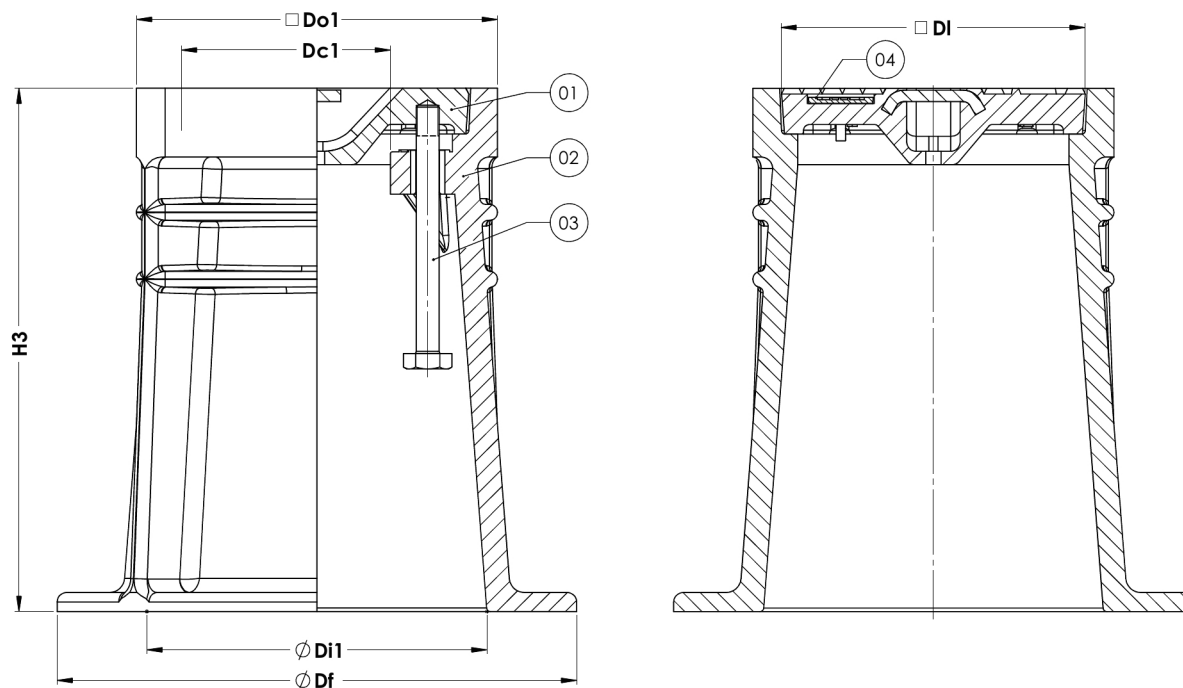
Transition piece I



CO₂ REDUCTION

Expect ... **AVK**

The designs, materials and specifications shown are subject to change without notice due to the continuous development of our product range.



Component list:

1. Lid	Cast iron GJL-200 (GG-20)	3. Bolt, hexagon head	Stainless steel A2-70
2. Housing	HDPE	4. Inscription plate	PA GF15

Components may be substituted with equivalent or higher class materials without prior notification.

Reference nos. and dimensions:

AVK ref. no.	Do1 mm	DI mm	Dc1 mm	Di1 mm	Df mm	H3 mm	Weight Box / kg	Weight Lid / kg	Theoretical weight/kg
80-40-0000001 (1)	190	161	142 / 110	178	272	274	2.4	3.2	5,6
80-40-0000003 (2)	190	161	142 / 110	178	272	274	2.4	3.2	5,6

(1) Inscription plate: WATER (blue)
 (2) Inscription plate: GAS (yellow)