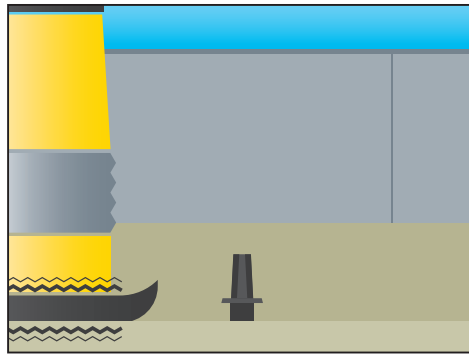
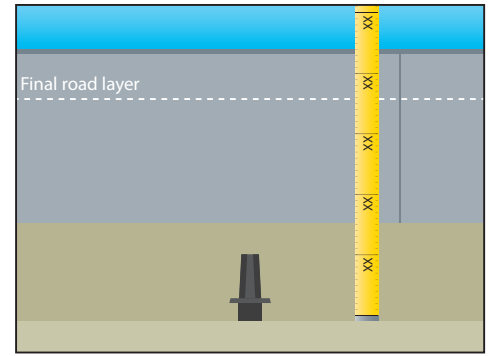


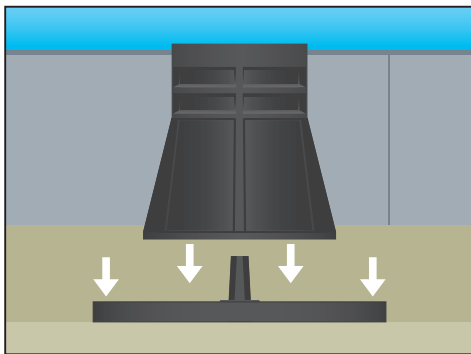
Final situation



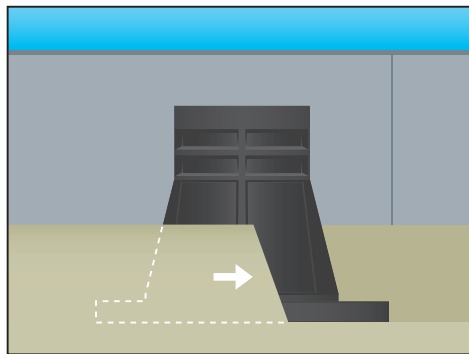
1. Compact the subsoil.



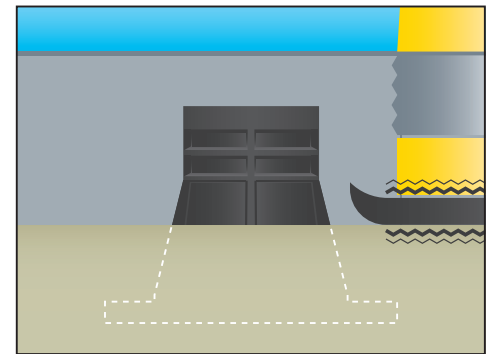
2. Determine the final height of the surface box.



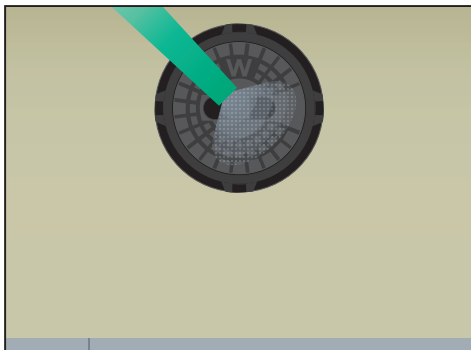
3. Place the support tile on the subsoil around the spindle and centre the surface box on the support tile.



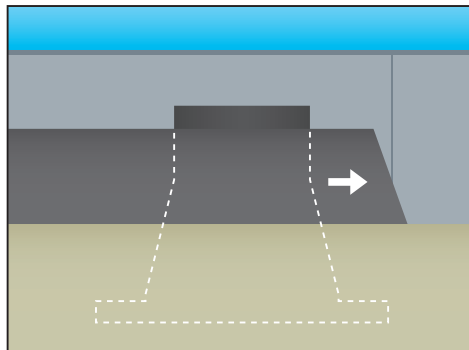
4. Surround the surface box with soil/concrete.



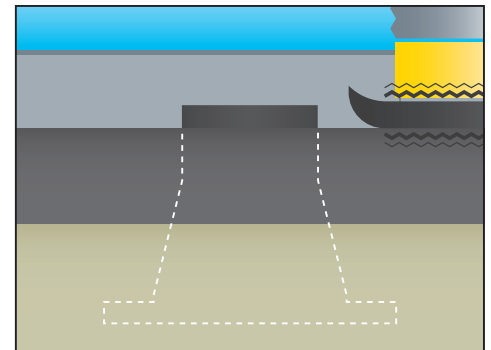
5. Compact the surrounding soil.



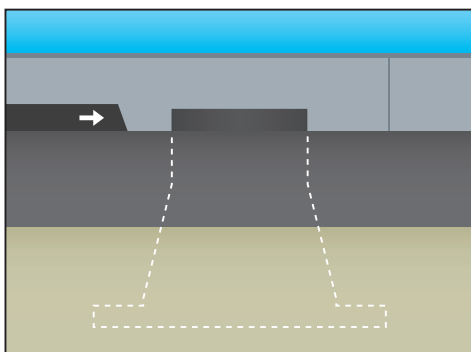
6. Apply release agent on the lid.



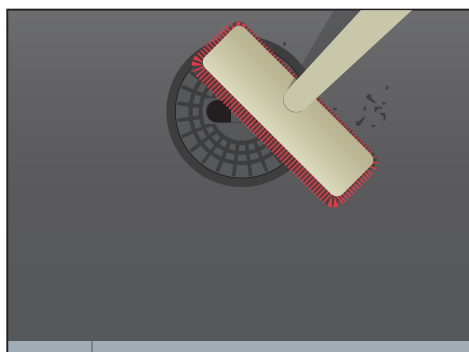
7. Apply the first layer of tarmac.



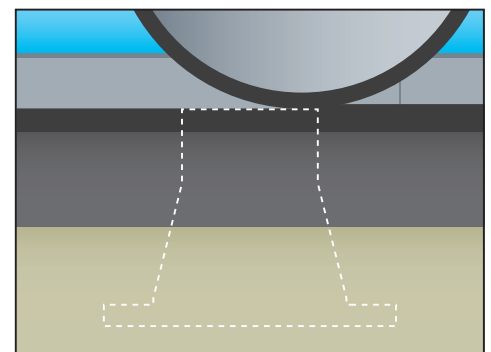
8. Compact the tarmac around the surface box.



9. Apply the final layer of tarmac.



10. Clean the top of the surface box.



11. Use a roller to compact the final layer.